

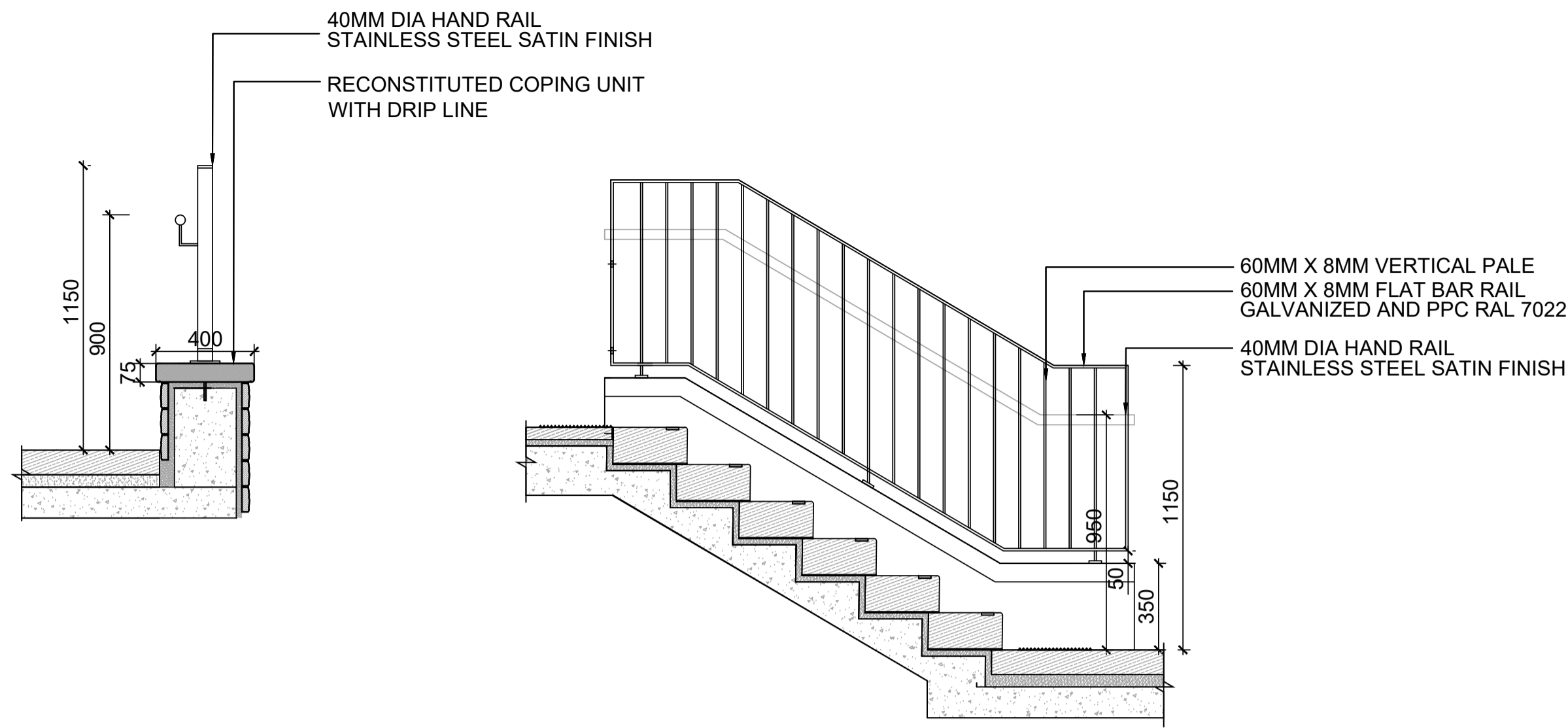
NOTE
 ALL DIMENSIONS TO BE CHECKED ON SITE
 NO DIMENSIONS TO BE SCALED FROM THIS DRAWING
 THIS DRAWING IS TO BE READ IN CONJUNCTION WITH
 RELEVANT CONSULTANTS DRAWINGS
 NO PART OF THIS DOCUMENT MAY BE REPRODUCED OR
 TRANSMITTED IN ANY FORM OR STORED IN ANY RETRIEVAL
 SYSTEM OF ANY NATURE WITHOUT THE WRITTEN PERMISSION
 OF THE LANDSCAPE ARCHITECT AS COPYRIGHT HOLDER EXCEPT
 AS AGREED FOR USE ON THE PROJECT FOR WHICH THE
 DOCUMENT WAS ORIGINALLY ISSUED
 FOR DRAWING INDEX, GENERAL NOTES, AND HEALTH AND SAFETY REFER TO DWG
 L1-001

CLIENT:

CWTC Multi Family ICAV

ARCHITECTS:

HENRY J LYONS ARCHITECTS



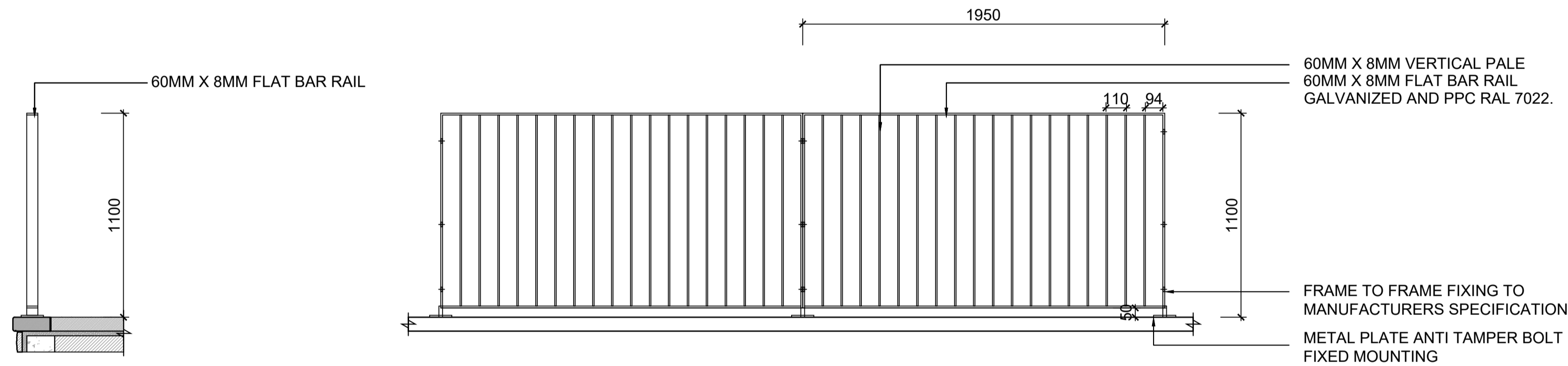
01 R1: TYPICAL RIMINI STAIRCASE RAILING
 SCALE: 1:20@A1



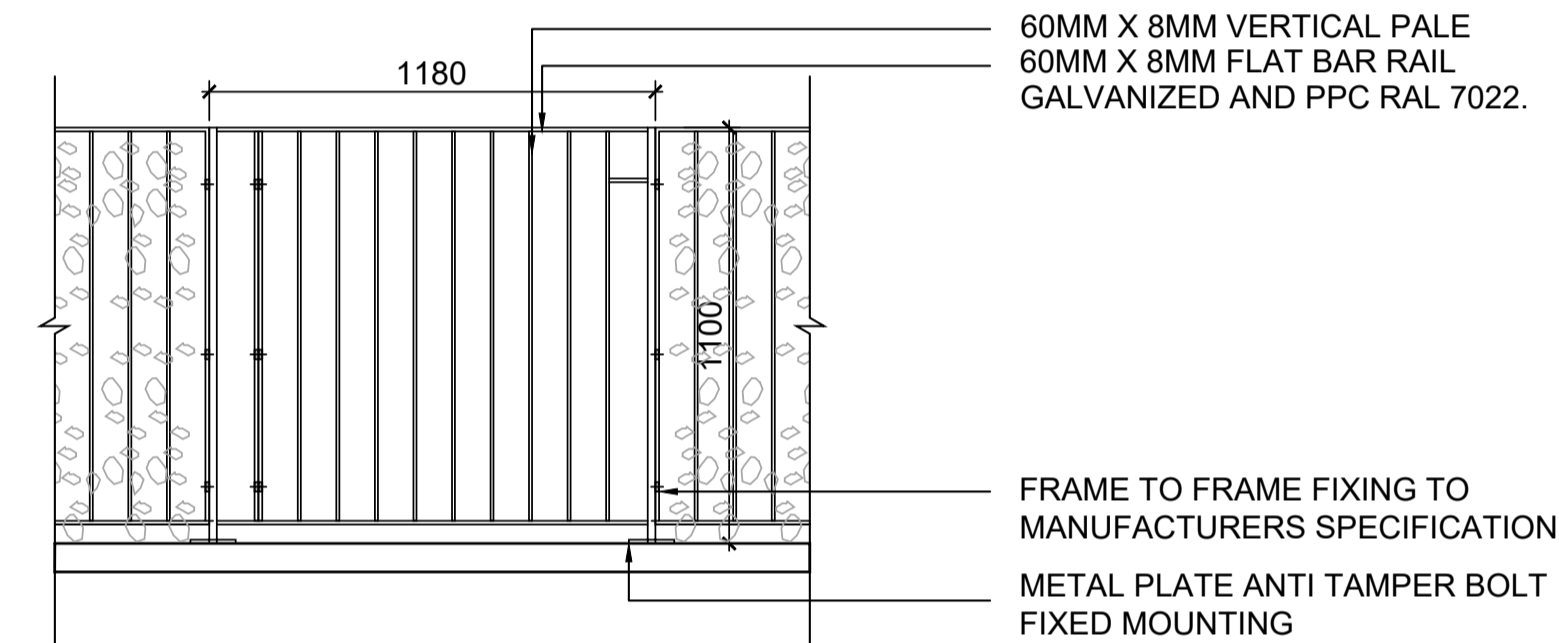
04 ILLUSTRATIVE RAILING AT STEPS



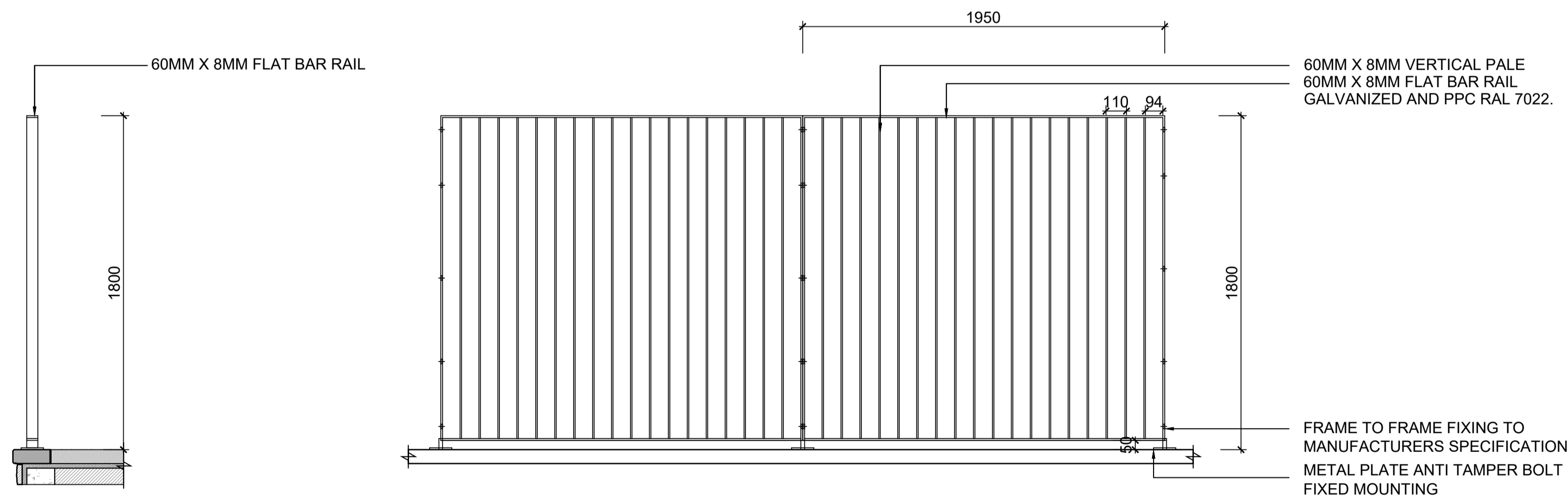
05 ILLUSTRATIVE RAILING



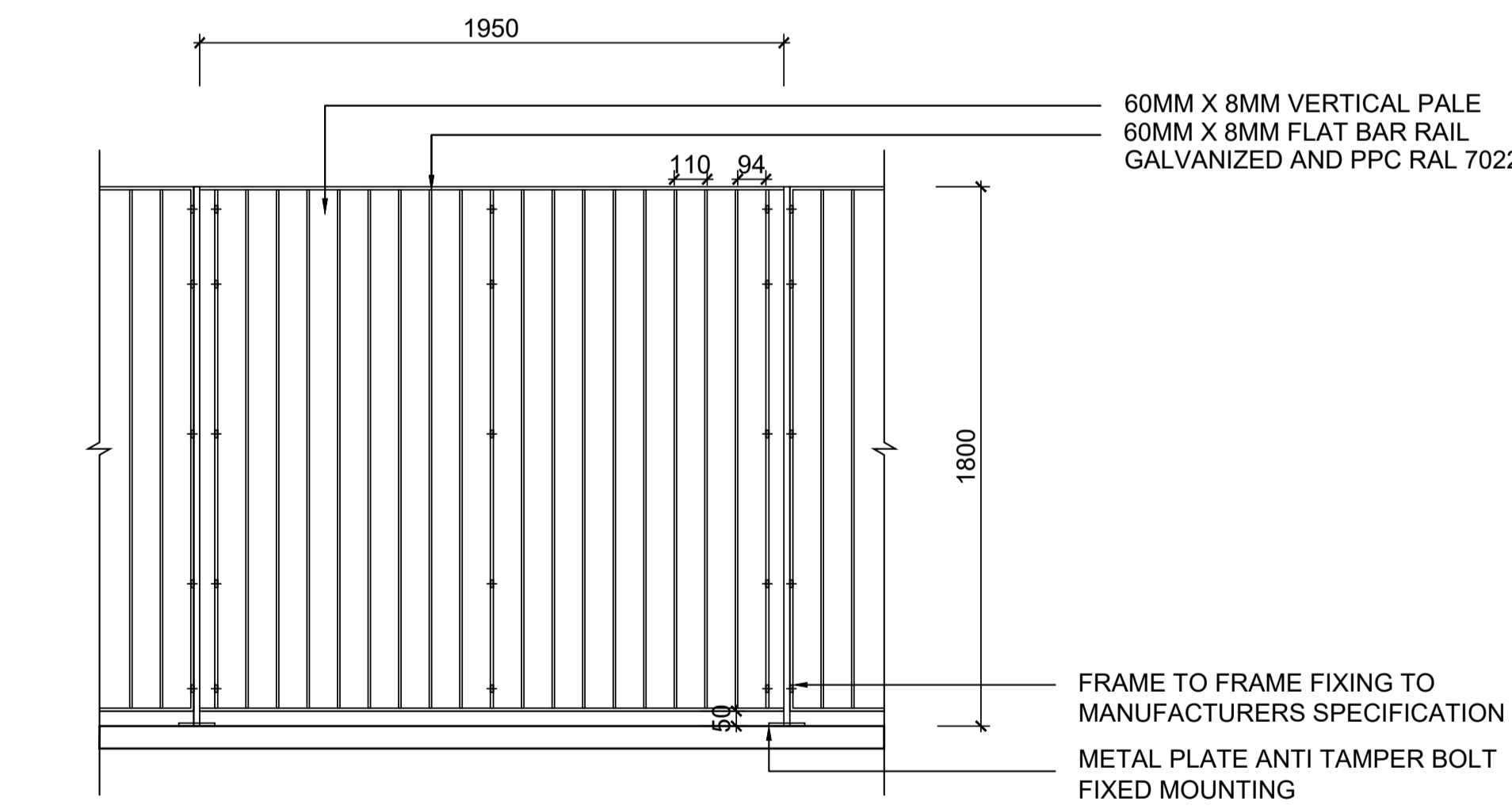
02 R2: TYPICAL RIMINI RAILING DETAIL
 SCALE: 1:20@A1



06 GT1: TYPICAL RIMINI GATE DETAIL - ELEVATION
 SCALE: 1:20@A1



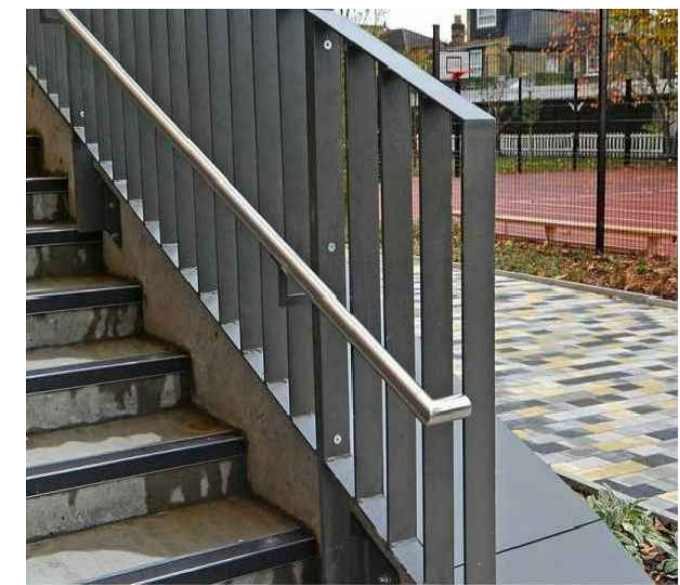
03 R3: TYPICAL RIMINI 1800 MM HEIGHT RAILING DETAIL
 SCALE: 1:20@A1



07 GT1: TYPICAL RIMINI GATE DETAIL - ELEVATION
 SCALE: 1:20@A1



08 TYPICAL RAILING + GATE
 SCALE: 1:20@A1



09 TYPICAL HANDRAIL
 SCALE: 1:20@A1



10 TYPICAL RAILING
 SCALE: 1:20@A1



11 TYPICAL RAILING AT STAIRS
 SCALE: 1:20@A1

REFERENCE: THIS DRAWING IS NOT FOR CONSTRUCTION

01	FOR INFORMATION	06/2022
00	FOR INFORMATION	01/2022

REVISIONS:

Job No.	13A8A	Drawn By	KFR
Dwg No.	L1-904	Checked By	HDL
Scale	AS SHOWN @A1	Date	JUN 2022

JOB DESCRIPTION

Client	APPLICANT DBTR-SCR1 FUND
Project	BAILEY GIBSON SHD 2
Title	RAILING DETAILS

